

IQ8Quad – O, TD, TM

- **Secure early fire detection through patented detection methods**
- **Reduced false alarm rates through automatic adaptation to varying environmental conditions**
- **Automatically self-monitoring sensor**
- **Short-circuit and open-circuit tolerant**
- **Signal classification to recognise signals not typical of fires through pattern recognition of fire parameters**
- **Simple installation and commissioning**
- **Indicates detector contamination and implements quiescent value tracing in accordance with the current standards and directives**
- **Extremely low quiescent current of 40 to 60 μ A**



The innovative detector generation

The new IQ8Quad detector generation not only combines state-of-the-art detection technology in a single unit but also sets new standards in terms of safety and effectiveness.

Clever installation and secure investment

Although equipped with a flat-design housing, IQ8Quad detectors are provided with a spacious mounting base for flexible cabling. In addition, unused wires can be directly looped through the base. Irrespective of the detector version, the standard IQ8Quad detector base can be used for installation (a relay base can be ordered separately). Thus, installation coordination is facilitated and made more flexible. Detectors can be easily and conveniently removed and the loop is not disconnected during removal. Therefore, fire alarm systems and all their components remain active and operable, enabling short-circuit and open-circuit control within the loop even during installation.

The wiring topology can be read in on site by using the tools 8000 programming software application, while individual customer data and the system configuration can subsequently be entered and set when offline.

The esserbus

With a line length of up to 3,500m and connecting options for a maximum of 127 devices, all advantages provided by loop technology can be used: highest operational reliability and maximum flexibility during installation coordination or during fire alarm system modifications. On account of decentralised intelligence, implemented in the detectors, and standard isolators, bus devices are not disconnected from the loop in the case of wire breaks or short-circuits. Spurs can be located on the esserbus without adding further modules, which considerably reduces installation expenses. In addition, mixed operation of IQ8Quad detectors and Series 9200 detectors can be set up without facing difficulties.

IQ8Quad - the reliable, economic detector

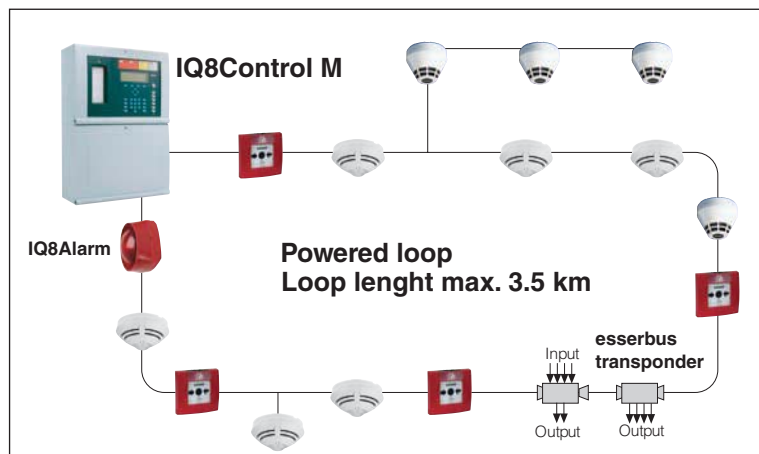
O* The ideal optical smoke detector for detecting visible smoke particles from smouldering fires, light smoke, burning plastic or liquids with smoke generation.

TD* Rate-of-rise heat detector, applicable for stable temperature conditions, where open fires and fast developing fires must be expected.

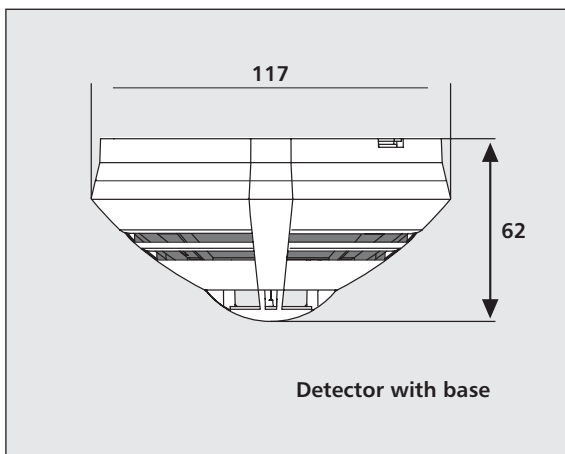
TM The reliable fixed heat detector for varying ambient parameters. When the maximum temperature is exceeded, an alarm is reliably actuated.

* These detectors are approved in the scope of the DIBt system authorization for the operation with an Automatic Door System. Both of them are also available without isolator.

Schematic loop diagram:



Dimensions (mm):



Technical Data

Type	O		TD		TM	
Part No.	802371	803371	802271	803271	802171	802177
Integrated loop isolator	with	w/o	with	w/o	with	
Operating voltage	8 - 42 V DC		8 - 42 V DC		8 - 42 V DC	
Quiescent current I_N approx.	50 μ A		40 μ A		40 μ A	
Max. area to be monitored	110 m ²		30 m ²		30 m ²	
Max. height to be monitored	12 m		7,5 m		7,5 m	6 m
Application temperature	-20 °C to +72 °C		-20 °C to +50 °C		-20 °C to +50 °C	-20 °C to +65 °C
VdS - No.	G 204060		G 204059		G 204058	G 208057
Detector specification	EN 54-7		EN 54-5 A1R		EN 54-5 A1S	EN 54-5 BS

General technical data

Rated voltage	19 V DC
Storage temperature	-25 °C to +75 °C
Air humidity	≤ 95% humidity (without condensation)
Type of protection	IP 43 (with base and option)
Material	ABS
Colour	white, similar RAL 9010
Weight	approx. 110 g
Dimensions w/o base (Ø x H)	117 x 49 mm
Dimensions base included (Ø x H)	117 x 62 mm

Order information

	Part No.
O Optical smoke detector IQ8Quad	802371
O Optical Smoke detector IQ8Quad without loop isolator	803371
TD Rate-of-rise heat detector IQ8Quad	802271
TD Rate-of-rise detector IQ8Quad without loop isolator	803271
TM Fixed heat detector IQ8Quad	802171
TM Fixed heat detector class B IQ8Quad	802177
Standard detector base for IQ8Quad	805590
Detector base with relay contact for IQ8Quad	805591
Flush mount kit for base IQ8Quad	805571
Label plate for detector base IQ8Quad	805576
IP 43 protection for detector base IQ8Quad, flat design	805570
IP 43 protection for IQ8Quad detector bases, deep design	805573
IP 43 moisture-proof surface-mounted base adapter aP for IQ8Quad detector base	805572

For further order information please refer to our "Fire Alarm Technology" Product Line Catalogue.

Novar GmbH a Honeywell Company

Dieselstraße 2,
41469 Neuss, Germany

Phone: +49 2137 17-0 (Administration)
Phone: +49 2137 17-600 (Customer Service Center)
Fax: +49 2137 17-286

Internet:
www.esser-systems.com

E-mail:
info@esser-systems.com

Honeywell Life Safety Austria GmbH

Lemböckgasse 49,
1230 Vienna, Austria

Phone: +43 1 600 6030
Fax: +43 1 600 6030-900

Internet:
www.hls-austria.at

E-mail:
hls-austria@honeywell.com