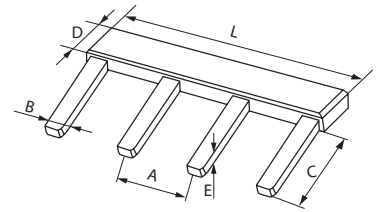


INSTALLATION ACCESSORIES FOR TERMINAL BLOCKS

Cross Connectors

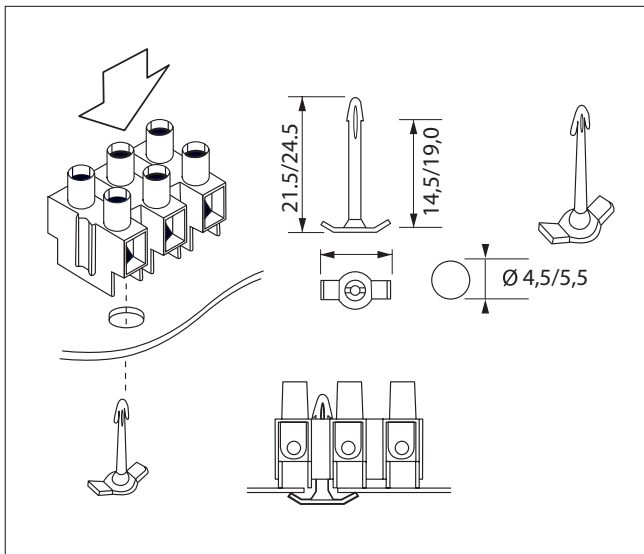
ARTICLE	POLE NUMBER	LENGTH		FOR PRODUCTS	NOMINAL CROSS SECTION MM ²	WEIGHT (G)	PACKAGE QTY
		L					
KRL 1508.02	2	8		KA/KB 16, 17	1.5	0.8	100 / 2 000
KRL 1508.03	3	13			1.5	1.4	100 / 2 000
KRL 1508.04	4	18			1.5	1.9	100 / 2 000
KRL 1508.12	12	58			1.5	6.2	100 / 2 000
KRL 4010.02	2	14		KA/KB 200, 202, 241, 242	4	1.2	100 / 2 000
KRL 4010.03	3	24			4	1.9	100 / 2 000
KRL 4010.04	4	34			4	2.7	100 / 2 000
KRL 6012.02	2	16		KA/KB 460, 463	6	1.3	100 / 2 000
KRL 6012.03	3	28			6	2.1	100 / 2 000
KRL 16015.02	2	20		KA/KB 612	16	1.8	100 / 2 000

ARTICLE	A	B	C	D	E
KRL 1508	8	2	10	5.5	1
KRL 4010	10	3	10	5.5	1
KRL 6012	12	3	10	5.5	1
KRL 16015	15	3	10	5.5	1



Fixing Pins

TERMINAL ARTICLE	THICKNESS OF THE BLOCK		THICKNESS OF THE BASE WITH MARKING PLATE	WEIGHT (G)	PACKAGE QTY
	BLOCK	MOUNTING BASE			
AH 2463 GREY	KA 202.12	1,0–2,8 MM	MAX. 0,7 MM	0.5	1 000 / 10 000
	KA 242.12	0,4–2,0 MM			
	KA 463.12	MAX. 1,7 MM			
AH 2512 BLACK	KA 612.12	MAX. 1,8 MM	MAX. 0,7 MM	0.5	1 000 / 10 000



Spacer Plate

The spacer plate is used for separating different voltage levels. KA 46 is designed for 4–6 mm² terminal blocks with foot.

ARTICLE	WEIGHT	PACKAGE
	(G)	QTY
KA 46	2	100 / 1 000

