

REG-Adapter MS-K IP20

for assembly on DIN rail
for 1 RJ45 Module MS-K 1/8



unilan® DIN-Rail
(REG)-Adapter MS-K

Product information

unilan® DIN-Rail (REG)-Adapter MS-K

Application

The REG-Adapter is useable for mounting on a DIN-rail TH 35. It can be fit with a RJ45-Modul MS-K 1/8 (not included in the delivery). The Module is protected against directly physical contact. Keeping the protection class II by mounting without grounding connection. Keeping the protection class I by connecting possibility for a ground wire.

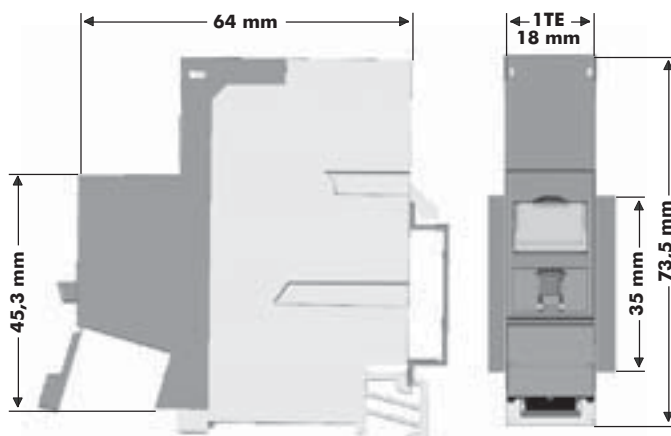
Suitable for the following unilan Module:

- RJ45 Modules MSK 1/8 Cat.6/EA shielded

Description

- Mounting on DIN rail TH35 (in accordance with DIN EN60715)
- 1TE (< 18mm) width (DIN 43880)
- Colour light grey (similar to RAL 7035)
- Protection class I or II, depending on mode of installation
- Protection class IP20
- Protective window for labeling strips
- Integrated dust protection cover

Dimensions



Article No.	Description	Colour (similar)	PU
440 018	unilan® REG-Adapter for 1x RJ45-Module MS-K (without Modul)	light grey RAL 7035	1 piece
440 001	unilan® RJ45-Module MS-K 1/8 Cat.6a shielded, TIA-A	metall	10 pieces