

**STAINLESS STEEL
FLOODLIGHTS**



STAINLESS STEEL FLOODLIGHTS

New Stainless Steel Floodlights – at a glance

The new WISKA stainless steel floodlights series can be applied to several surroundings on board and meet in every respect with the high-quality demands for maritime lighting.



Application Area

- Engine rooms, cargo holds
- Decks, weather-exposed areas
- Industrial areas

Design

- According to the rules of international classification societies, VDE, IEC

Protection

- IP 67

Materials

- Housing made of stainless steel, seamless deepdrawn
- Powder coated white, RAL 9016, 70-80µm thickness
- Diffuser made of safety glass

Electric

- Various voltages available
- Flexible, heat resistant wiring

Cable Entry

- With junction box and nickel-plated brass WISKA SPRINT cable gland, cable diameter 9-17mm (others on request)

Lamps

- not included

Mounting

- Adjustable bracket made of stainless steel

Options

- Tailor made mounting device
- Vibration resistant features
- Air breathing devices to prevent condensation water

Spare Parts

- Available on request

STAINLESS STEEL FLOODLIGHTS



WISKA Product Key

ES - HA - BU - 1x 200 - WB - 110/115 - 50 - S - I
 DL 2x 250 NB 220/230 60 H h
 400
 500
 1000

Product description:
 ES = Stainless Steel Floodlight

Type of lamp:
 HA = halogen lamp
 DL = discharge lamp

Information:
 BU = ballast unit

No. of lamps:
 1x = 1 lamp
 2x = 2 lamps

Power consumption:
 200 = 200W
 250 = 250W
 400 = 400W
 500 = 500W
 1000 = 1000W

Type of reflector:
 WB = wide beam
 NB = narrow beam
 no information in case of ballast unit

Voltage:
 110/115 = 110/115V
 220/230 = 220/230V

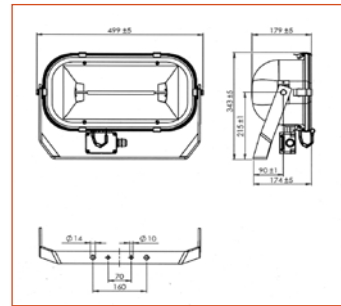
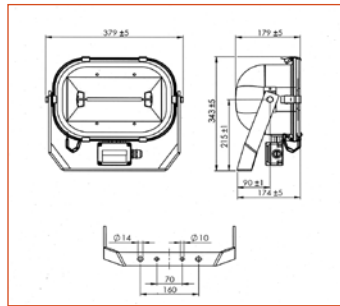
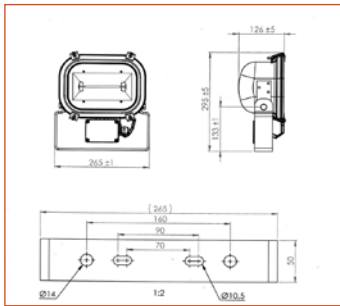
Frequency :
 50 = 50Hz
 60 = 60Hz

Type of discharge lamp:
 S = h.p.s. (high pressure sodium lamp)
 H = m.h. (metal halide lamp)

Type of power factor compensation:
 I = l.p.f. (low power factor compensated)
 h = h.p.f.c. (high power factor compensated)

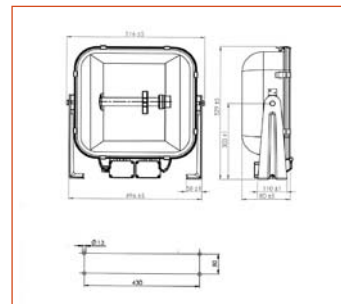
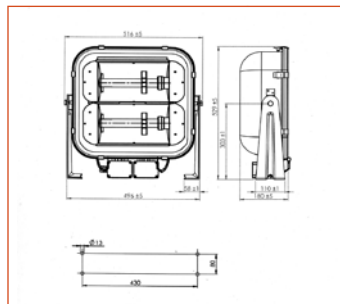
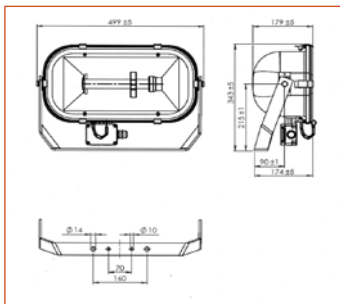
STAINLESS STEEL FLOODLIGHTS

Watertight Floodlight Halogen



Type	Lamp base	For lamps (not included)	kg
ES-HA-1x200-WB	R7s	Halogen, max. 200W, 114.2mm	3,7
ES-HA-1x500-WB	R7s	Halogen, max. 500W, 114.2mm	5,5
ES-HA-1x1000-WB	R7s	Halogen, max. 1000W, 185.7mm	6,8
ES-HA-1x1000-NB	R7s	Halogen, max. 1000W, 185.7mm	6,8

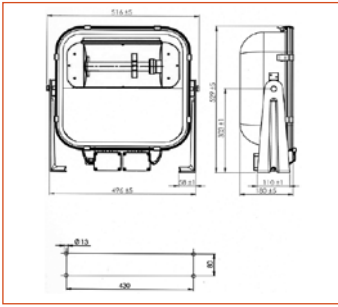
Watertight Floodlight HPS/MH (separate ballast unit required)



Type	Lamp base	For lamps (not included)	kg
ES-DL-1x400-WB	E40	HPS/MH, max. 400W	7,3
ES-DL-1x400-NB	E40	HPS/MH, max. 400W	7,3
ES-DL-2x400-WB	E40	HPS/MH, max. 2x400W	14,0
ES-DL-2x400-NB	E40	HPS/MH, max. 2x400W	14,0
ES-DL-1x1000-WB	E40	HPS/MH, max. 1000W	12,2
ES-DL-1x1000-NB	E40	HPS/MH, max. 1000W	12,2

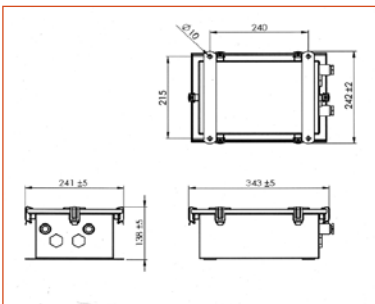
STAINLESS STEEL FLOODLIGHTS

Watertight Floodlight HPS/MH with incorporated ballast unit



Type 50Hz hpfc	Type 60Hz hpfc	Lamp base	For lamps (not included)	kg
ES-DL-BU-1x250-WB-230-50	ES-DL-BU-1x250-WB-220-60	E40	1x250W HPS/MH	18,8
ES-DL-BU-1x250-NB-230-50	ES-DL-BU-1x250-NB-220-60	E40	1x250W HPS/MH	18,8
ES-DL-BU-1x400-WB-230-50	ES-DL-BU-1x400-WB-220-60	E40	1x400W HPS/MH	20,0
ES-DL-BU-1x400-NB-230-50	ES-DL-BU-1x400-NB-220-60	E40	1x400W HPS/MH	20,0


Watertight Ballast Unit




Type 50Hz hpfc	Type 60Hz hpfc	Lamp base	For lamps (not included)	kg
ES-BU-1x250-230-50	ES-BU-1x250-220-60	E40	1x250W HPS/MH	10,6
ES-BU-1x400-230-50	ES-BU-1x400-220-60	E40	1x400W HPS/MH	10,8
ES-BU-2x250-230-50	ES-BU-2x250-220-60	E40	2x250W HPS/MH	18,4
ES-BU-2x400-230-50	ES-BU-2x400-220-60	E40	2x400W HPS/MH	18,8
ES-BU-1x1000-230-50-S	ES-BU-1x1000-220-60-S	E40	1x1000W HPS	15,8
ES-BU-1x1000-230-50-H	ES-BU-1x1000-220-60-H	E40	1x1000W MH	15,8

WISKA Hoppmann & Mulsow GmbH

Kisdorfer Weg 28
24568 Kaltenkirchen
Germany

 +49-4191-508-0

 +49-4191-508-209

wiska@wiska.de

www.wiska.de