

S02 1U Sliding patch panel

Description

FibreFab offers an innovative, robust 1U sliding patch panel. This panel has been designed to accept up to 24 fibres housed within a 1U space.

With the ability to use a full array of Adaptor types offering a flexible solution to the end user, enabling them to incorporate a multi functional panel which allow easy access during installation or re-work with no disturbance of the existing cable or fibres.

In the addition to the array of adaptors the panel also offers multiple cable entry solutions, up to 4 standard cable entry points for, loose tube, tight buffer, pre terminated and steel tape armoured cable.

Each panels has integrated strength member tie positions also with the additional removable plate at the rear of the panel allows the installation of steel tape armoured cable.



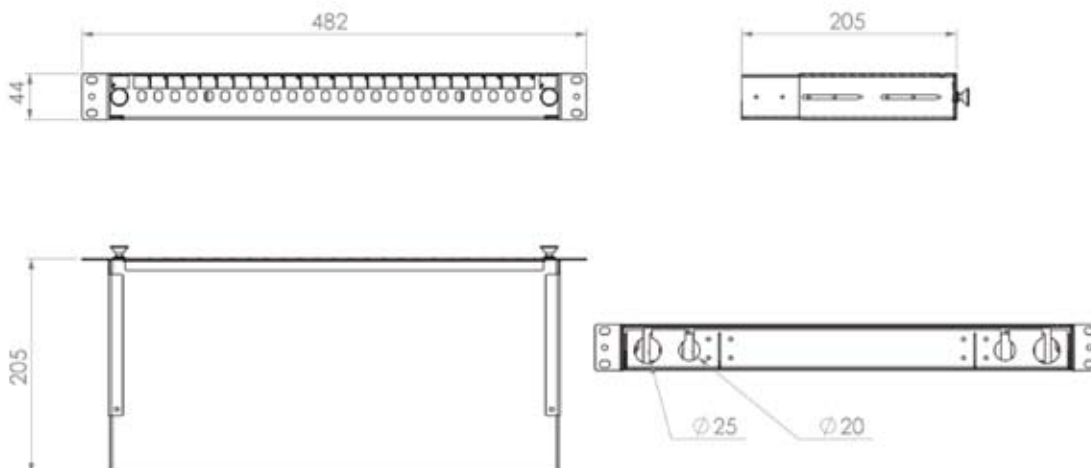
Features/Benefits

- ▶ **Up to 24 fibres in 1U**
- ▶ **Multiple Adaptor options available**
- ▶ **24 Adaptor positions**
- ▶ **Individually labelled ports**
- ▶ **45° open working angle**
- ▶ **Accepts loose tube, distribution and pre terminated cables**
- ▶ **Compliant to ROHS and REACH/SvHC**
- ▶ **Fits standard 19"**

Applications

- ▶ **Data centres, premise installations, telecommunication networks**
- ▶ **Ethernet, Fibre Channel, ATM, LAN, MAN and WAN**
- ▶ **Data communication**
- ▶ **Indoor applications**

Technical Drawing



S02 1U Sliding patch panel

Technical Specification

Element	Characteristic
Height	1U (44.4mm)
Width	483mm
Depth	200mm
Net weight	2.4kg
Packaged weight	2.7kg
Packaged dimensions	530mm (W) x 55mm (H) x 260mm (D)
IP rating	IP20
Suitable for adaptor type	ST/ FC
Number of ports	24
Cable entry 20mm	2
Cable entry 25mm	2
Mounting adjustment range	50mm
Material	Cold rolled steel
Material thickness	1.2mm
Material coating	Electrostatic powder coating
Colour	Grey RAL 7035
Operating temperature	-40°C to +60°C
Designed in accordance with	TIA/EIA 568.C, ISO/IEC 11801, EN50173, IEC60304, IEC61754, EN297-1
Compliant to	RoHS, Reach/SVHC

Part Number Generator

